

**VMB**

**SPRING TO CLOSE HAND WHEEL  
(MAGIC WHEEL)**

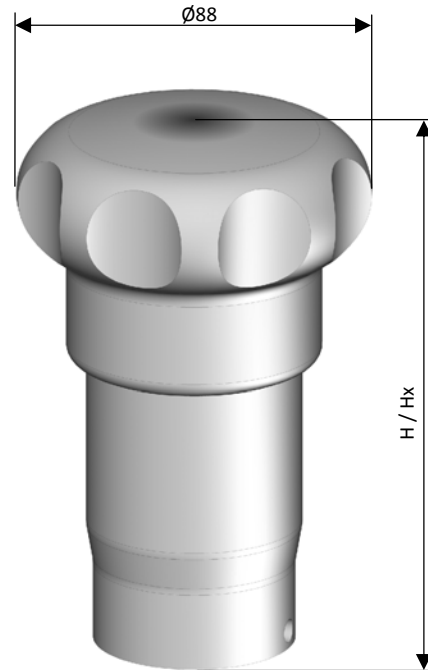
3

**MATERIAL**  
316L / 1.4435 / 1.4404

	°C	°F
T min.	-20	-4
T max.	+200	+392

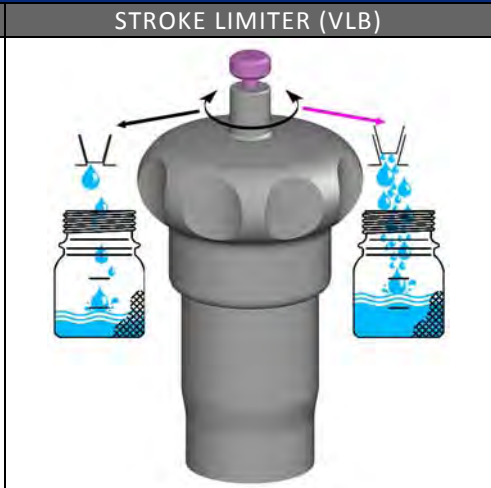
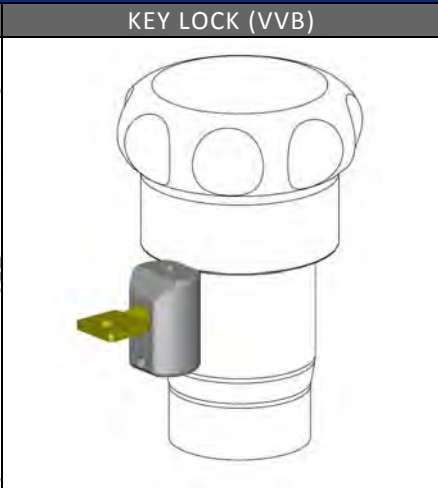
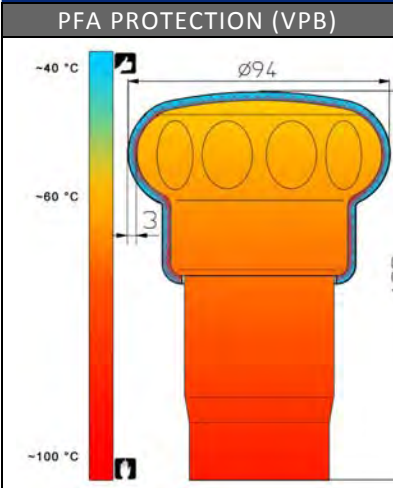
**IP CODE**  
INTERNATIONAL STANDARD IEC 60529  
PROTECTION RATING

**IP67**



	H	Hx
Multifunct. Syst	152	
Tradition. Syst.		176

**OPTIONS**



**Option T. > 200°C (+392 °F) : 100mm Extension p.5.040**