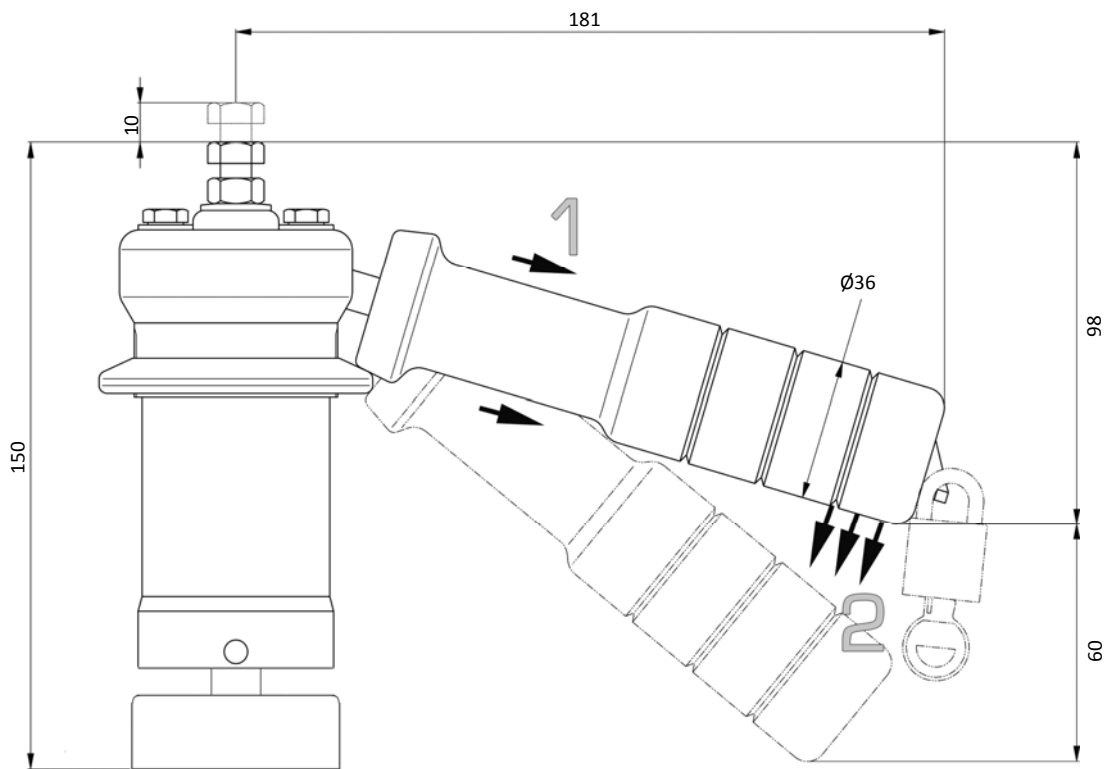


SPRING TO CLOSE HAND LEVER

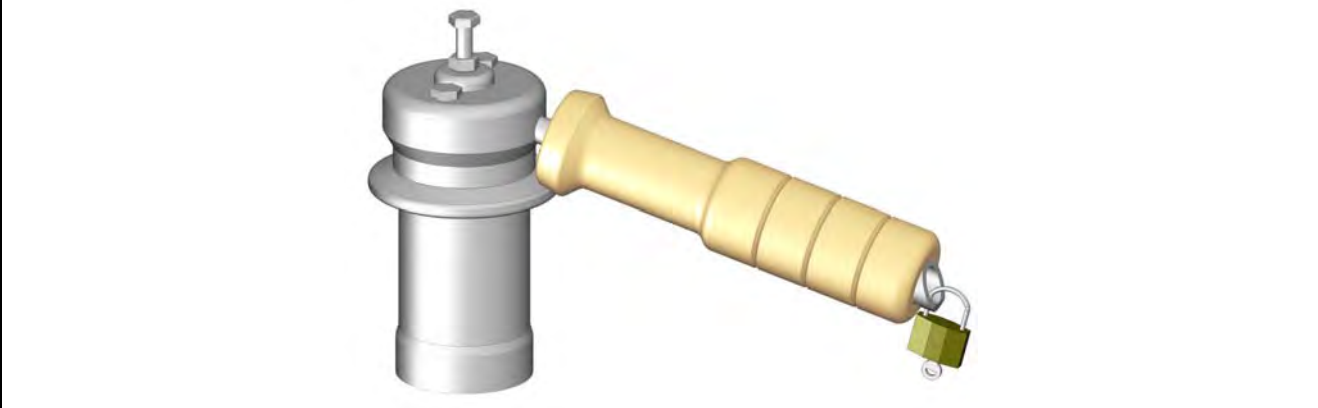
Material
316L / 1.4435 / 1.4404 / PP



3

OPTION

KEY LOCK



Option T. > 200°C (+392 °F) : 100mm Extension p. 5.040

